

People have Priority



Oral surgery and Implantology



Oral surgery and Implantology

Company	4–5
Product overview 1 for Elcomed, Implantmed, prosthodontic screwdriver	6–7
Product overview 2 for surgical handpieces and contra-angles	8–9
Elcomed	10–11
Implantmed	12–13
Prosthodontic screwdriver	14–15
Surgical handpieces and contra-angles with LED+	16–17
Surgical handpieces and contra-angles	18–19
Surgical saw handpieces	20–21



W&H Dentalwerk
Bürmoos



W&H Sterilization
Brusaporto



The stakes are high.
We work with people.

People
have
Priority

Backbone doesn't come from the stock exchange:
W&H has been a family-owned company for generations.
This is the origin of the spirit of innovation that develops
devices such as Implantmed and Elcomed.

The secret of our success: W&H has always placed
people – regardless of whether they are partners,
customers, patients or employees – in the centre.
See for yourself – it's no longer a secret!
We don't want to keep any secrets from you.

W&H at a glance

- > Head office in Austria
- > 980 employees worldwide
- > 80 teams
- > Established 1890 in Berlin
by Jean Weber and Hugo Hampel
- > 3 production facilities
- > 19 subsidiaries in Europe and Asia
- > Export share over 95 %

For more information see
wh.com

PEOPLE HAVE PRIORITY



Whatever you encounter.

You are prepared for anything with W&H surgical devices.

Now available from your dental dealer or at wh.com



»There is no room for compromise during the surgical procedure. Elcomed is clearly number 1 in the operating theatre.«

PD Dr Jörg Neugebauer,
dentist specializing in oral surgery.



»Who really needs complex menus whilst placing implants? I work with Implantmed because I can operate it without looking.«

Dr. Wiebke Möller-Ühlken,
dentist in the group practice Par Aixcellence®.



»The prosthodontic screwdriver with torque control! It tightens the retaining screw to the perfect tightness.«

Dr. Alexander Schatzdorfer,
dentist with his own practice.

The main features at a glance

- > All information in one user level
- > Complete documentation via USB flash drive
- > Shortest and lightest motor with 50,000 rpm
- > Up to 80 Ncm on the rotary instrument
- > 6 programs with individually adjustable parameters
- > Automatic thread cutter function
- > Motor with cable, thermo washer disinfectable and sterilizable



Elcomed

More info
on page 10

The main features at a glance

- > Easy to use
- > Powerful motor with 5.5 Ncm torque
- > Wide speed range: 300 up to 40,000 rpm at the motor
- > Precise torque limitation: 5 to 70 Ncm
- > Automatic thread cutter function
- > Motor with cable, thermo washer disinfectable and sterilizable



Implantmed

More info
on page 12

The main features at a glance

- > Torque control for risk-free tightening of the retaining screw
- > Automatic stopping when the adjusted torque is reached
- > Constant speed saves time
- > Cordless for ease of use
- > Small head for the best view
- > Torque wrenches and ratchets are now redundant



IA-400

More info
on page 14



»Light shows true colour!
A genuine innovation from W&H.«

Dr. med. dent. Mario Kirste, MSc Implantology,
dentist with his own practice.



»Ideal for Implantmed
and Elcomed:
precise and reliable!«

Dr. Alexander Schatzdorfer,
dentist with his own practice.



»Fast cutting without vibration.
Also for use with
local anaesthetics.«

PD Dr Jörg Neugebauer,
dentist specializing in oral surgery.

The main features at a glance

- > Work with daylight quality
- > Natural reproduction of red tones
- > Independent power supply with integrated generator
- > Longer life compared with conventional halogen bulbs
- > Dismantlable (except WI-75 LED G and SI-11 LED G) for thorough cleaning
- > Thermo washer disinfectable and sterilizable



Surgical handpieces and contra-angles with LED+

More info
on page 16

The main features at a glance

- > Durable and robust due to high-grade stainless steel
- > Dismantlable (except WI-75 E/KM) for thorough cleaning
- > Slim design for a good view
- > Wide range for all surgical applications
- > Thermo washer disinfectable and sterilizable



Surgical handpieces and contra-angles

More info
on page 18

The main features at a glance

- > Innovative saw-blade shape for outstanding cutting performance
- > One drive speed for all 3 saw types
- > Durable and robust due to high-grade stainless steel
- > For sagittal, oscillating or reciprocal movement
- > Range of saw blades for all surgical applications
- > Low vibration and exceptionally quiet
- > Dismantlable for thorough cleaning
- > Thermo washer disinfectable and sterilizable



Surgical saw handpieces

More info
on page 20

Elcomed



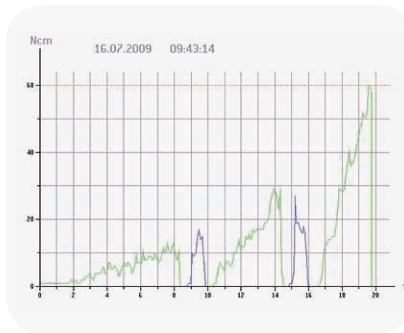
Number 1 in the operating theatre

Safe, reliable, powerful. The W&H Elcomed has been designed specifically to meet the requirements of maxillofacial surgery, dental surgery and implantology.



Everything at a glance

Revolutions per minute, torque and selected coolant flow rate all at one user level.



Complete documentation

Every step of the treatment is saved to a USB flash drive. The data is accessible at any time.



Automatic thread cutter function

Prevents excessive bone compression while screwing in the implant.



Convenient foot control

The multifunctional foot control allows sterile working and optimum freedom for your hands.



An amazing motor

Shortest and lightest motor with 50,000 revolutions per minute.



Wide range

High-quality handpieces, contra-angles and surgical saw handpieces for your Elcomed. For more information see pages 16, 18 and 20.

Implantmed



For daily use

Accurate, powerful and uncomplicated operation. Implantmed gives you the tools for oral surgical procedures in the fields of implantology and maxillofacial surgery with maximum precision.



Easy to use

Set your programs as required with the Plus and Minus buttons.



Strong and safe

Powerful motor with precise torque limitation.



Fatigue-free operation

The contra-angle handpiece is comfortable in the hand and with the motor is perfectly balanced. Extended treatment without fatigue!



Convenient foot control

The multifunctional foot control allows sterile working and optimum freedom for your hands.



Automatic thread cutter function

Prevents excessive bone compression while screwing in the implant.



Durable and long life

Surgical straight and contra-angle handpieces for Implantmed in high-quality stainless steel. For more information see pages 16 and 18.

Prosthetic screwdriver



For precise torque control

Practical, fast and no risk. The single-handed operation means the cordless prosthodontic screwdriver is fast and, most importantly, safe and provides the best possible view of the treatment site.



Precise torque control

Adjustable from 8 to 40 Ncm in 1 Ncm steps. This allows precise, risk-free tightening of retaining screws.



Key pad

Activate the prosthodontic screwdriver with the key pad.



Cordless operation

No obstacles for your prosthodontic screwdriver with modern Li-Ion battery technology.



Small head for a clear view

Nothing blocks your view of the treatment site.



Constant speed saves time

At 25 revolutions per minute it takes less than 10 seconds to tighten a retaining screw.



Lubricated for life

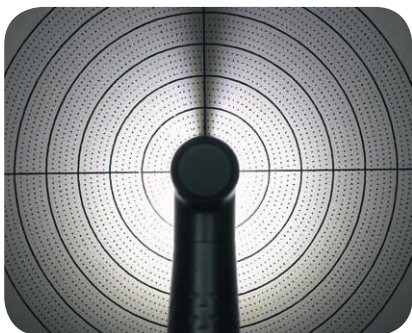
The thermo washer disinfectable and sterilizable contra-angle handpiece is lubricated for life and must not be oiled.

Surgical handpieces and
contra-angles with LED+



For continuous working in daylight quality

Clear, bright and wide field of view. As the undisputed leader in LED technology, W&H has developed handpieces and contra-angles with LED+, which offers outstanding illumination with high-contrast, natural light.



Bright and clear

W&H LED+ instruments possess the highest luminosity values, and thus also the greatest light output.



Daylight quality

With a colour rendering index greater than 90, W&H LED+ instruments show natural-appearing red tones.



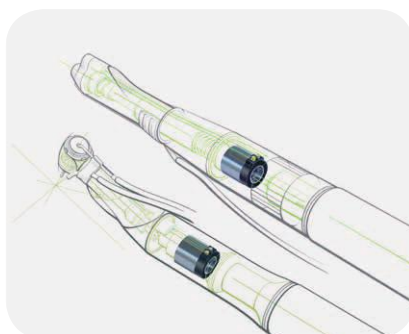
Ideal positioning

Continuous illumination of the treatment site with the LED positioned immediately under the instrument head.



Perfect cleaning

To satisfy the stringent hygiene requirements, both the WS-75 LED G and the S-11 LED G can be dismantled.



Independent power supply

The generator rotates during operation and independently generates the power required for the LED+.

Surgical handpieces and contra-angles



For all surgical applications

Durable, light and slender. W&H surgical handpieces and contra-angles have been specially designed for oral and maxillofacial surgery, implantology and microsurgery. With high-quality stainless steel they are particularly durable.



WI-75 E/KM and WS-75 E/KM
Models specially designed for implantation.



WS-56 E and WS-92 E/3
With their ergonomical shape these models are outstanding for difficult surgical procedures.



Hexagon chucking system
The hexagon chucking system developed and patented (EU, USA) by W&H ensures safe use even at high torques.



S-9, S-10 and S-12
Angular shape improves the view of areas where access is difficult.



S-11 and SL-11
The first choice for complex jaw procedures.



Perfect cleaning
To satisfy the stringent hygiene requirements, the instruments can be dismantled (except WI-75 E/KM).

Surgical saw handpieces

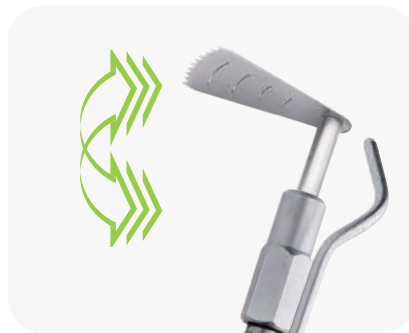


For outstanding cutting power

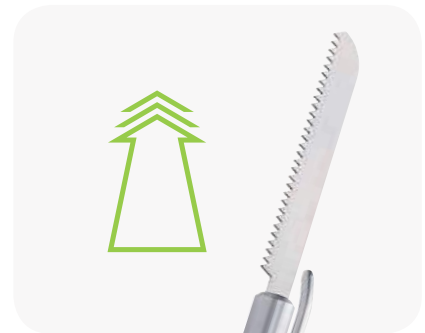
Fast, powerful and durable. The saw handpieces have been specially designed for conversion osteotomies and bone harvesting. Even after many years of use at maximum speed, consistently high cutting performance is still guaranteed.



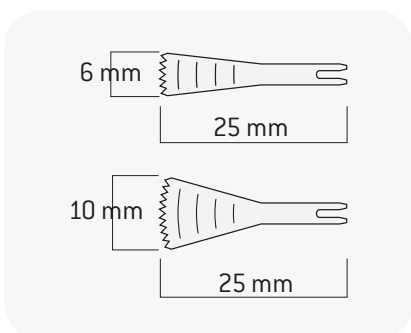
S-8 S with sagittal motion
Cutting direction parallel to the axis,
low vibration, dismantlable



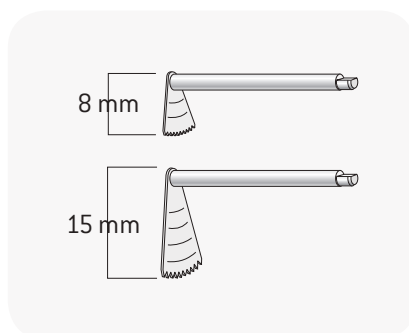
S-8 O with oscillating motion
Cutting direction 90° to the axis, low
vibration, dismantlable



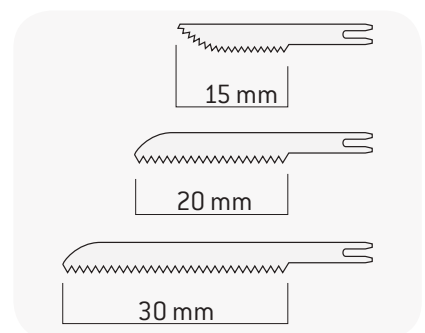
S-8 R with reciprocating motion
Forward / reverse cutting direction,
low vibration, dismantlable



Sagittal saw blades for S-8 S
width 6 mm or 10 mm,
incl. depth gauge on the saw blade
(2.5 mm graduations),
available as single pack or five pack



Oscillating saw blades for S-8 O
height 8 mm or 15 mm,
incl. depth gauge on the saw blade
(2.5 mm graduations),
available as single pack



Reciprocating saw blades for S-8 R
length 15 mm, 20 mm or 30 mm,
crosswise tooth setting for
increased cutting power,
available as single pack or five pack

Elcomed



Type:	SA-310
Max. torque at the rotary instrument*:	80 Ncm
Documentation**:	yes / USB
Mains voltage:	100 – 130 V or 220 – 240 V, 50 / 60 Hz
Max. mechanical output power:	100 W
Max. torque at the motor:	7 Ncm
Motor speed range in the nominal voltage range:	300 min ⁻¹ – max. 50,000 min ⁻¹ , safety stop at 40,000 min ⁻¹
Intended transmission instruments:	ISO connection 3964 (DIN 13.940)
Length of motor cable:	1.8 m or 3.5 m
Coolant flow rate at 100 %:	at least 90 ml/min
Foot control:	yes
Height / width / depth:	109 x 256 x 305 mm

* Adjustment with WS-75 and WI-75

** Also available without documentation function

Implantmed



Type:	SI-915	SI-923
Max. torque at the rotary instrument*:	70 Ncm	
Mains voltage:	100 – 130 V, 50 / 60 Hz	220 – 240 V, 50 / 60 Hz
Max. mechanical output power:	70 W	
Max. torque at the motor:	5.5 Ncm	
Motor speed range in the nominal voltage range:	300 – 40,000 min ⁻¹	
Intended transmission instruments: Program 4 and 5:	ISO connection 3964 (DIN 13.940), transmission ratio 1:1, 20:1 exclusively with WI-75 E/KM, WI-75 LED G, WS-75 E/KM or WS-75 LED G	
Length of motor cable:	1.8 m	
Coolant flow rate at 100 %:	min. 90 ml/min	
Foot control:	yes	
Height / width / depth:	100 x 235 x 240 mm	

* in program 4

Accessories for Elcomed and Implantmed



Perfectly packed

The sterilization cassette (without contents) is the ideal storage container for motors with cables, handpieces and contra-angles.



Safe travel

The transportation case (without contents) for outpatient procedures.



Practical accessories

The trolley is available with and without a power bar (EU plugs only).

Total height: 78 cm

Tray (W x D)

upper: 39.5 cm x 36.5 cm

middle: 31 cm x 24 cm

lower: 40 cm x 43 cm

Prosthetic screw driver IA-400



Handpiece drive IA-400



Battery type:	Li-Ion
Battery voltage:	3.7 V
Rated capacity:	680 mAh
Speed of the instrument:	25 min ⁻¹
Torque:	8 – 40 Ncm
Charging time:	approx. 100 min.
Battery capacity:	approx. 40 screws at average torque
Weight:	90 g

Charging station

Mains voltage:	100 – 240 V
Frequency:	50 – 60 Hz
Rated current:	0.08 – 0.12 A
Power:	5 W
Weight:	345 g

Contra-angle IA-80*

Type:	IA-80
Transmission ratio:	80:1
Coupling system:	W&H special coupling

  *The contra-angle IA-80 is thermo washer disinfectable and sterilizable up to 135 °C

Surgical handpieces and contra-angles with LED+



Type:	S-11 LED G	SI-11 LED G	WS-75 LED G	WI-75 LED G
Transmission ratio:	1:1	1:1	20:1	20:1
Coupling system:	ISO 3964 (DIN 13.940)			
Lighting system:	LED+			
Power supply:	via independent generator			
Light quality:	daylight			
Spray:	external	external	single	single
Internal cooling system:	–	–	Kirschner/Meyer	Kirschner/Meyer
Chucking system:	lever chuck	lever chuck	push-button chuck	push-button chuck
Rotary instruments:	for surgical burs and cutters Ø 2.35 mm			
	L = 45 also Stryker system	L = 45 also Stryker system	with contra-angled shank	with contra-angled shank
Maximum drive speed:	40,000 min ⁻¹	40,000 min ⁻¹	40,000 min ⁻¹	40,000 min ⁻¹
Easily dismantled:	yes	no	yes	no
Indications, e.g.:	apical resection osteotomy sequestrectomy apical trepanning bone modelling	as for S-11 LED G	implantation segmental osteotomy	as for WS-75 LED G

Surgical handpieces



Type:	S-11	SL-11	S-9	S-10 (S-12*)
Transmission ratio:	1:1	1:1	1:1	1:1
Coupling system:	ISO 3964 (DIN 13.940)			
Spray:	external	external	external	external
Chucking system:	lever chuck	lever chuck	lever chuck	lever chuck
Rotary instruments:	for surgical burs and cutters Ø 2.35 mm			
	L = 45 also Stryker system	L = 45 also Stryker system	L = 45 also Stryker system	L = 70
Maximum drive speed:	50,000 min ⁻¹	30,000 min ⁻¹	50,000 min ⁻¹	50,000 min ⁻¹
Easily dismantled:	yes	yes	yes	yes
Indications, e.g.:	apical resection osteotomy sequestrectomy apical trepanning bone modelling	as for S-11 for difficult to access areas	extraction of wisdom teeth apical resection fenestration apical trepanning	bone shaving osteotomy fenestration osteosynthesis in distal areas

* S-12: as for S-10, 1:2, maximum drive speed 40,000 min⁻¹; indications: e.g., complicated extractions of impacted wisdom teeth, apical resection in distal areas, bone shaving, osteotomy, decompression

Surgical contra-angle handpieces



Type:	WS-75 E/KM	WS-56 E	WS-92 E/3	WI-75 E/KM
Transmission ratio:	20:1	1:1	1:2,7	20:1
Coupling system:	ISO 3964 (DIN 13.940)			
External spray:	single	single	triple	single
Internal cooling system:	Kirschner/Meyer	–	–	Kirschner/Meyer
Chucking system:	push-button chuck			
Rotary instruments:	for surgical burs and cutters with			
	contra-angled shank Ø 2.35 mm	contra-angled shank Ø 2.35 mm	FG shank Ø 1.6 mm	contra-angled shank Ø 2.35 mm
Maximum drive speed:	50,000 min ⁻¹	50,000 min ⁻¹	50,000 min ⁻¹	50,000 min ⁻¹
Easily dismantled:	yes	yes	yes	no
Indications, e.g.:	implantation segmental osteotomy	maxillary and mandibular osteotomy germectomy sequestrectomy	hemisection extraction of wisdom teeth	as for WS-75 E/KM

Surgical saw handpieces



Type:	S-8 R	S-8 0	S-8 S
Transmission ratio:	3.25:1	3.4:1	3.25:1
Coupling system:	ISO 3964 (DIN 13.940)		
Strokes / angles:	1.8 mm	12°	3°
Frequency (strokes/min.):	12,300	11,800	12,300
Maximum drive speed:	40,000 min ⁻¹	40,000 min ⁻¹	40,000 min ⁻¹
Easily dismantled:	yes	yes	yes

Oral surgery and Implantology

Pictures are for illustrative purposes only. Additional equipment and accessories shown are not included as standard.

Scan the QR code with
your mobile telephone
for more information
on our products



Manufacturer:

W&H Dentalwerk Bürmoos GmbH
Ignaz-Glaser-Straße 53, Postfach 1
5111 Bürmoos, Austria
t + 43 6274 6236-0
f + 43 6274 6236-55
office@wh.com
wh.com